


AMGATE™

Automatic System for Residential Sliding Gates

Proven Reliable · Weatherproof Design · Good Quality & Durable · Convenient & Intelligent

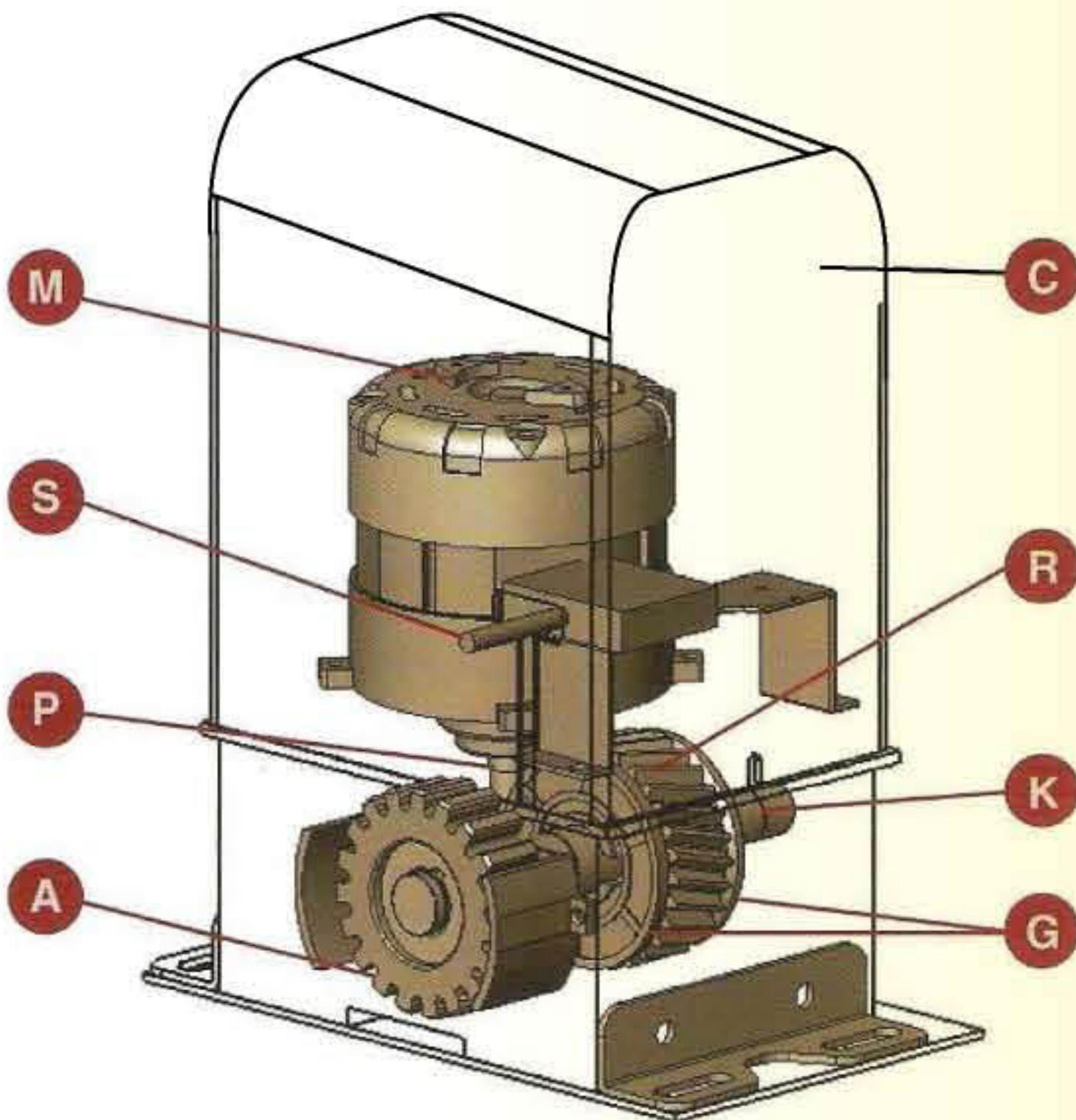


AM-1000AC & AM-2000AC

220-240V AC Sliding Motor

Setting:

- Single phase induction motor with Worm Gear Speed
- Reducer with manual override release Patented Mechanical Clutch



Legend:

- M: 4 Pole Electric Motor With Thermal Protection
- P: Solid Shaft Worm - Wheel Screw
- R: Reduction Unit - Helical Gear
- G: Clutch Between Helical Gear And Drive Shaft
- K: Pinion Key Emergency Release
- S: Contact Limit Switches
- C: Removable Water Proof Casing
- A: Black Pinion Gear

Features

- Automatic Lighting
- Safety Limit Timer
- Auto Close On Adjustable Timer
- Simple Underbase For Proximity Card & Loop Detector

Standard Kit Content

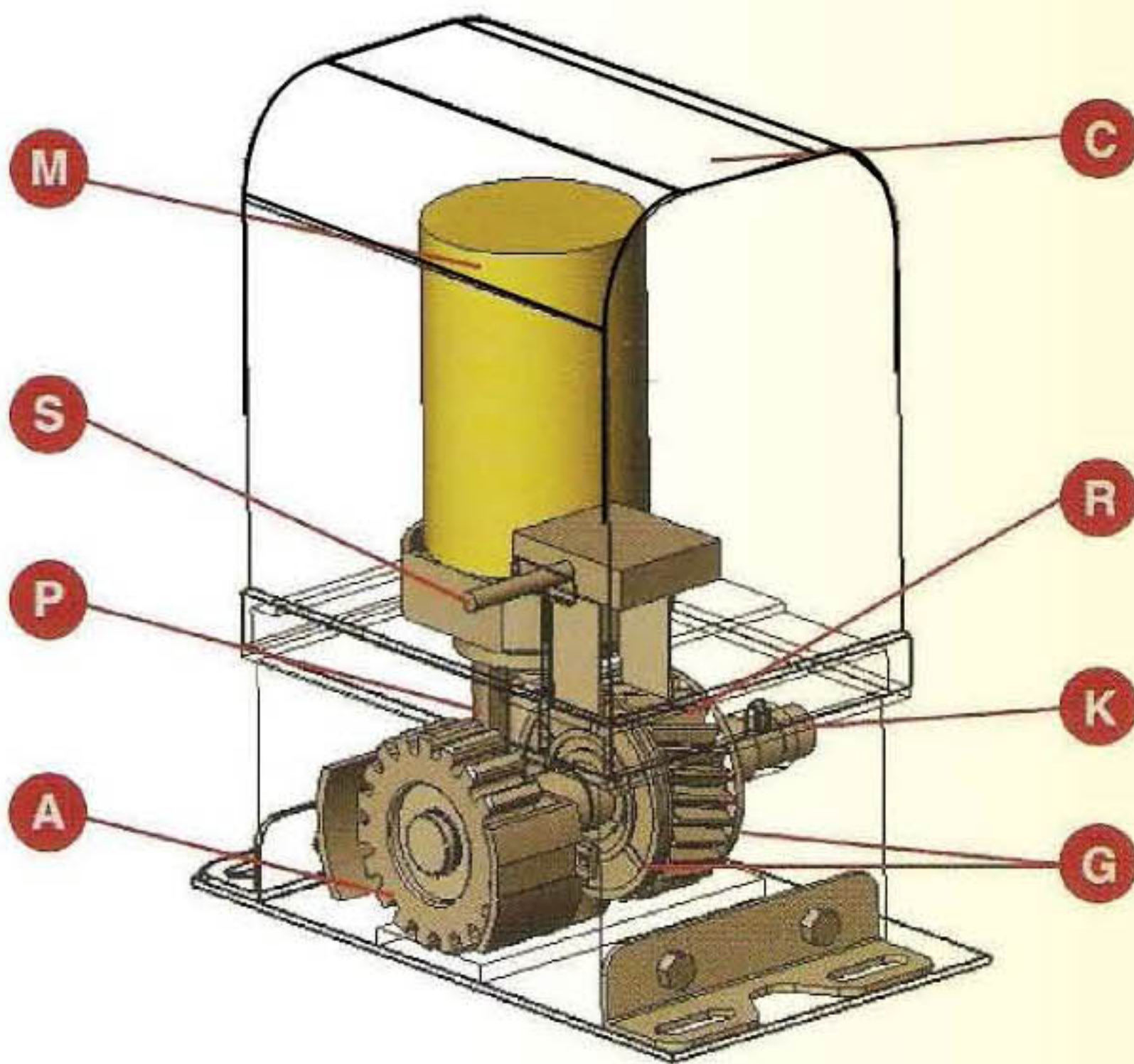
- 1pc AC Sliding Gate Motor
- 4pcs Row Plug
- 4 Meter Gear Rack
- 2pcs Limit Switch Brackets
- 2pcs Emergency Release Allen Key
- 3 pcs Remote Control
- 1pc Receiver
- 1pc P.C. Electronic Control Panel



AM-400DC, AM-1000DC & AM-2000DC 24V DC Sliding Motor

Setting:

- 24V DC Carbon brush motor complete with Worm Gear Speed.
- Reducer with manual override release Patented Mechanical Clutch.



Legend:

- M: 24V DC Motor
- P: Solid Shaft Worm - Wheel Screw
- R: Reduction Unit - Helical Gear
- G: Clutch Between Helical Gear And Drive Shaft
- K: Pinion Key Emergency Release
- S: Contact Limit Switches
- C: Removable Water Proof Casing
- A: Black Pinion Gear

Features

- Automatic Lighting
- Safety Limit Timer
- Auto Close On Adjustable Timer
- Simple Underbase For Proximity Card & Loop Detector

Standard Kit Content

- 1pc DC 24V Motor
- 4pcs Row Plug
- 4 Meter Gear Rack
- 2pcs Limit Switch Brackets
- 2pcs Emergency Release Allen Key
- 3 pcs Remote Control
- 1pc Receiver
- 1pc P.C. Electronic Control Panel c/w Battery Back-up Function
- 1pc 12V 7AH Backup Battery



AMGATE™

Automatic System for Residential Sliding Gates

AC Sliding Motor

Model	Output Power	Motor Rotation Speed	Gross Weight	Velocity	Current	Lubrication	Safety Cut Off Auto Reverse	Remote Controller
AM-1000AC	600W	1400 RPM	1000kg	10m/min	5A Max	Grease Type	Electronic Load Surge Detector	2 Channels 330MH2
AM-2000AC	1200W	1400 RPM	2000kg	15.5m/min	5A Max	Grease Type	Electronic Load Surge Detector	2 Channels 330MH2

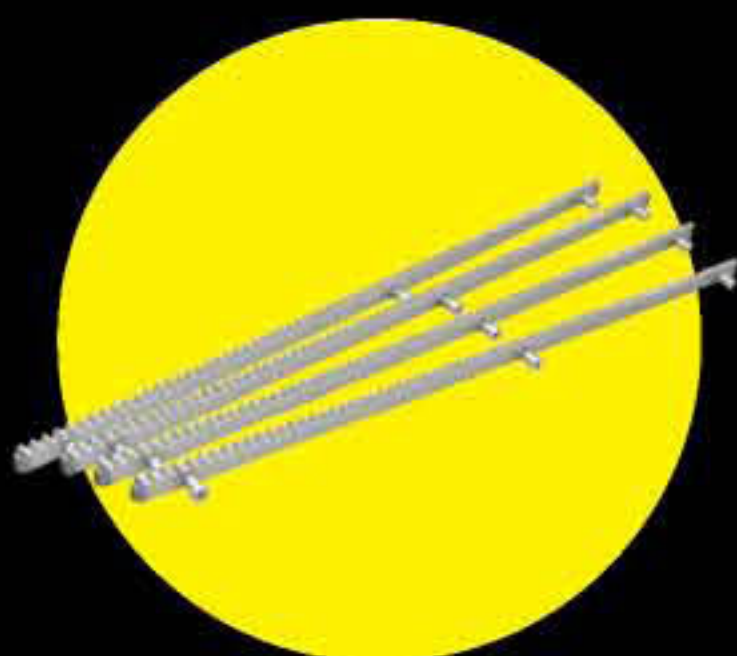
DC Sliding Motor

Model	Output Power	Motor Rotation Speed	Gross Weight	Velocity	Current	Lubrication	Safety Cut Off Auto Reverse	Remote Controller
AM-400DC	24V with due speed	3200	400kg	14m/min	5A Max	Grease Type	Electronic Load Surge Detector	2 Channels 330MH2
AM-1000DC	24V with due speed	3700	1000kg	15m/min	5A Max	Grease Type	Electronic Load Surge Detector	2 Channels 330MH2
AM-2000DC	24V with due speed	5100	2000kg	15.5m/min	5A Max	Grease Type	Electronic Load Surge Detector	2 Channels 330MH2

Accessories



Remote Control



Gear Rack



Manual Release Key



12V 7 AH Backup Battery